

NEW!

No noise

No vibration

No maintenance



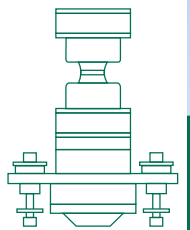
Moduline CVB 05.05

**➤ Moduline B 05:
A new aquadrive thrust bearing**

This new small size thrust bearing will enable boat builders and boat owners to use the full advantages of the aquadrive system also for small boats:

- Cost optimised version
- Small Moduline type, from 5 to 40 hp
- Thrust bearing mating with CV 05 shafts
- Uses double row axial ball bearing
- Available for propeller shaft diameters of 20, 25 and 30 mm
- Most easy to service

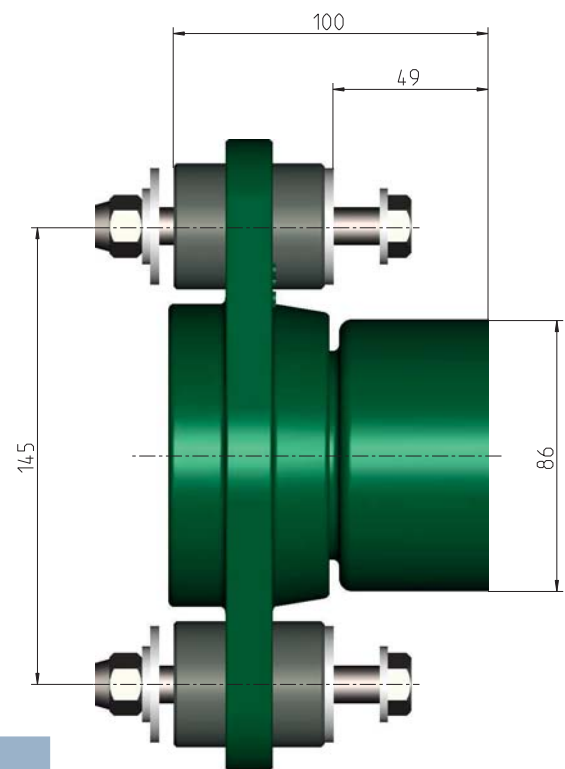
This new thrust bearing B 05, in combination with our proven CV 05 shaft for small boats makes aquadrive an even more flexible system with the ability to solve noise and vibration problems for almost any boat.





➤ Moduline B 05 technical data

- Max. propeller thrust: 6000 N
- Max. transmittable torque: 610 Nm - 820 Nm depending on propeller shaft diameter
- Max. propeller shaft revolutions: 4000 rpm
- Joint angle: max. allowable joint angle is 5-8 degrees, depending on shaft rpm
- Mounting length: approx. 230 mm



➤ Superior engineering

The aquadrive antivibration system will help you, and your crew, enjoy the peace and quiet of boating. By isolating the engine from the rest of your boat, noise and vibration are greatly reduced. Aquadrive will also help to keep your driveline in good condition by minimising wear and tear on the transmission and cutlass bearings. The propeller shaft is aligned to an aquadrive thrust bearing, which absorbs the propeller thrust. A Constant Velocity (CV) shaft transmits engine power to the thrust bearing and propeller shaft. The CV shaft automatically adjusts to changes in the alignment between engine and thrust bearing and allows engine movements in every direction. The use of softer engine mounts, which isolate engine vibration from the hull, completes the system. Aquadrive antivibration system creates the necessary conditions for a smooth running, quiet boat.

GKN Land Systems
 PowerTrain Systems & Services
 Headquarters:
 GKN Service International GmbH
 Nussbaumweg 19-21
 51503 Rösrath, Germany
www.gknservice.com

© GKN. All rights reserved.

